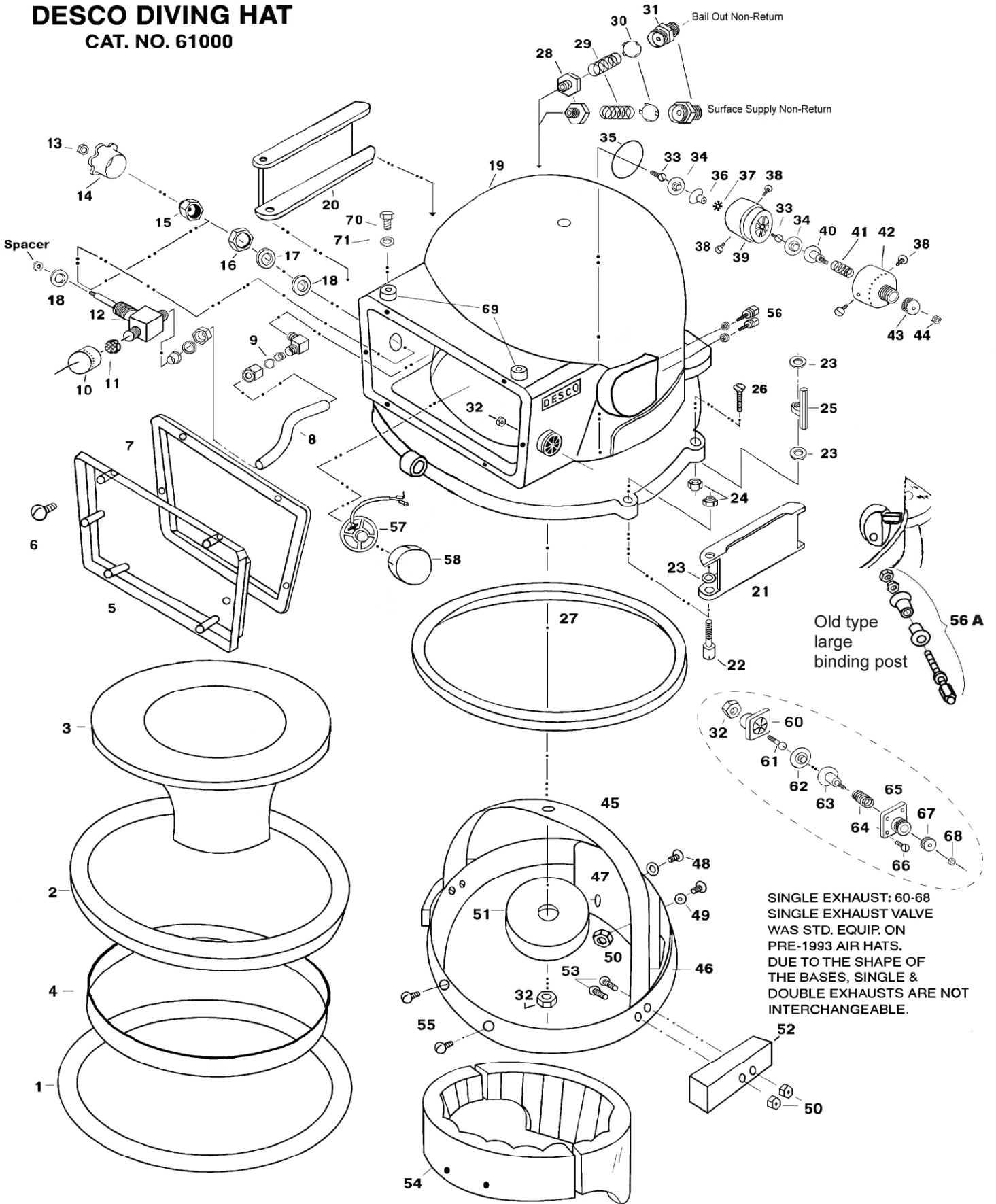


# DESCO DIVING HAT

CAT. NO. 61000



DESCO Air Hat Cat. No. 61000  
Exploded View & Parts List

<b><u>1-3 NECK RING INSERT ASSEMBLY 61050</u></b>		
1.	NECK SEAL O-RING	61054
2.	NECK RING INSERT	61051
3.	NECK DAM	61052
4.	SHIM	61053
<b><u>5-7 WINDOW ASSEMBLY 61075</u></b>		
5.	WINDOW	61076
6.	WINDOW RETAINING SCREWS	61078
7.	WINDOW GASKET	61077
<b><u>8-18 AIR INTAKE ASSEMBLY 61125</u></b>		
8.	COPPER TUBE	61127
9.	INSIDE ELBOW	61126
10.	AIR DISTRIBUTOR	61135
11.	LAMBSWOOL	
12.	CONTROL VALVE	61128
13.	VALVE HANDLE NUT	61134
14.	VALVE HANDLE (SMALL)	61133S
15.	VALVE STEM ADAPTER	61132
16.	VALVE RETAINING NUT	61131
17.	BRASS WASHER	61130
18.	LEAD WASHER	61129
<b><u>19-27 POT &amp; NECK RING ASSEMBLY 61025</u></b>		
19.	POT & NECKRING	61026
20.	NECK RING CLAMP (RIGHT)	61034
21.	NECK RING CLAMP (LEFT)	61035
22.	CLAMP SCREW	61030
23.	CLAMP & LOCK WASHER	61031
24.	CLAMP & LOCK NUT	61032
25.	LOCK	61038
26.	LOCK RETAINING SCREW	61037
27.	NECK RING GASKET	61036
<b><u>28-31 NON-RETURN VALVE ASS'Y 59091</u></b>		
28.	BODY	53079
29.	SPRING	57029
30.	PLATE	52030
31.	ADAPTER	53029
31.	ADAPTER (BAILOUT)	53029B
<b><u>32-44 DOUBLE EXHAUST ASSEMBLY 60231</u></b>		
32.	LOCKNUT	53025
33.	SCREW	53037
34.	FLAPPER	56026
35.	O-RING	60234
36.	FLAPPER GUARD	60238
37.	STAR WASHER	60237
38.	SET SCREW 6-32	60235
39.	CENTER SECTION	60233
40.	PLUNGER	53024
41.	SPRING	57029
42.	TOP SECTION	60236
43.	KNURLED CAP	53028
44.	NUT	54016

<b><u>45-55 HEAD PIECE ASSEMBLY 61100</u></b>		
45.	TOP BAND	61103
46.	HEAD BAND	61101
47.	BACK PLATE	61104
48.	3/8" BRASS SCREW	61108
49.	BRASS FLAT WASHER	61109
50.	BRASS NUT	61110
51.	TOP PAD	61113
52.	SIDE PAD	61112
53.	7/16" BRASS SCREW	61114
54.	INSERT	61106
55.	SCREW	61107
<b><u>56-59 COMMUNICATIONS 61200</u></b>		
56.	BINDING POST ASS'Y (SMALL)	61224
56A.	BINDING POST ASS'Y (LARGE)	61203
57.	SPEAKER WITH CLIPS	61205
58.	FOAM SPEAKER COVER	61226
59.	1/4" NPT PIPE PLUG	61227
<b><u>60-68 SINGLE EXHAUST ASSEMBLY 59112T</u></b>		
60.	EXHAUST BASE	51025
61.	SCREW	53037
62.	FLAPPER	56026
63.	PLUNGER	53024
64.	SPRING	27009
65.	COVER	52090
66.	SCREW	54025
67.	CAP	53028
68.	NUT	54058
<b><u>69-71 VIDEO/LIGHT MOUNTS 61115</u></b>		
69.	VIDEO/LIGHT BLOCK	61115
70.	VIDEO/LIGHT BLOCK BOLT	61116
71.	VIDEO/LIGHT BLOCK WASHER	61117

**NOT SHOWN ON EXPLODED VIEW**

These parts are for older DESCO Air Hats. The transceiver was mounted above the exhaust port in a plastic cup held by a brass ring. Two sizes of speaker were offered but the larger may not fit on very old Air Hats due to the speaker ring location. Parts with \* indicate parts for the four wire retrofit offered for older Air Hats.

**COMMUNICATIONS**

	RETAINING SCREW	54009
57X	SPEAKER WITH CLIPS	61204
	TELEPHONE CUP	61209
	*4 WIRE COMM ELBOW	61214
	*BULKHEAD FITTING	61215
	*4 WIRE PIGTAIL	61216

**MISCELLANEOUS**

14X	VALVE HANDLE (CAST)	61133
14X	VALVE HANDLE (LARGE)	61133N