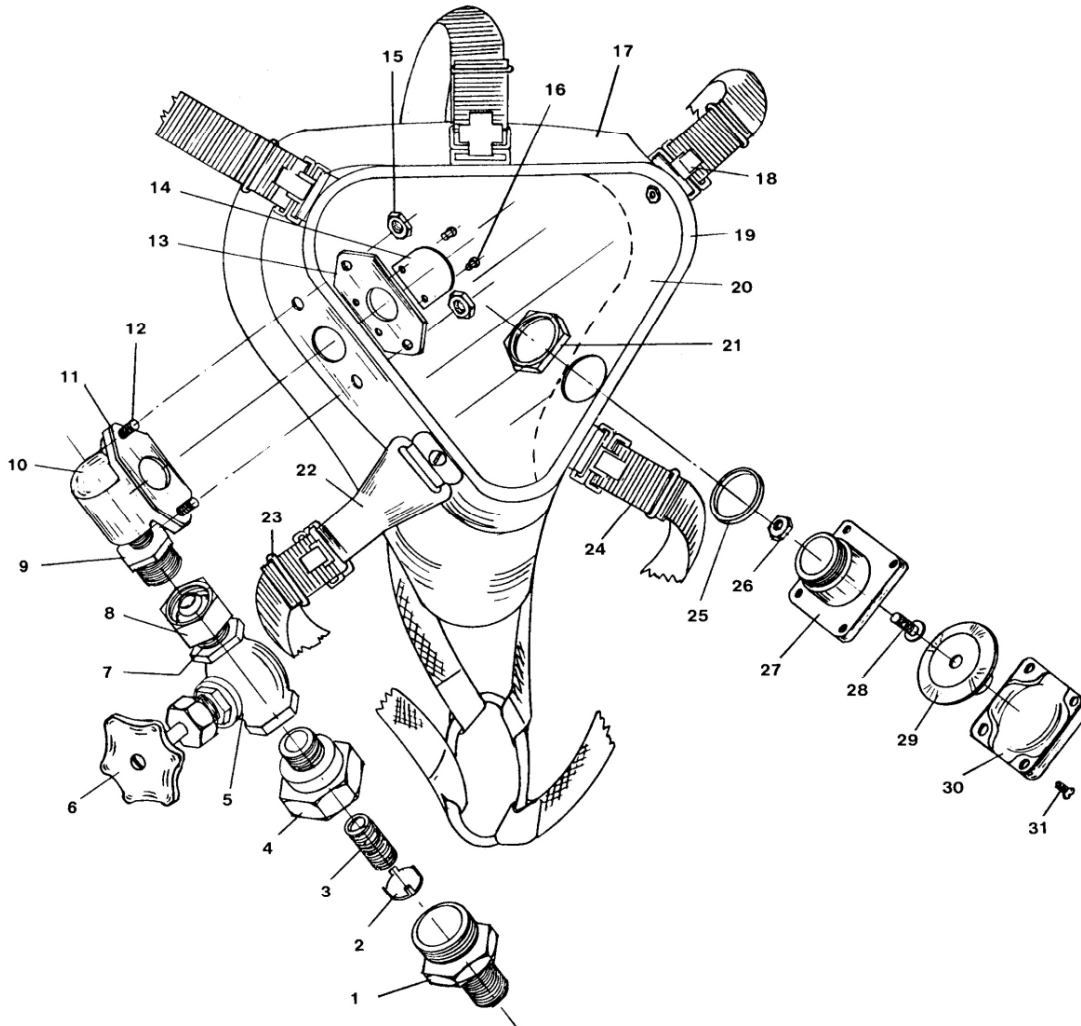


**DESCO COMMERCIAL FREE FLOW MASK  
CAT. NO. 59069C**



<u>ITEM</u>	<u>QTY</u>	<u>DESCRIPTION</u>	<u>CAT. NO.</u>	<u>ITEM</u>	<u>QTY</u>	<u>DESCRIPTION</u>	<u>CAT. NO.</u>
<b>1-4</b>		<b>Non-Return Valve Assembly</b>	<b>59091</b>	16	2	Rivet	53028
1	1	Adapter	53029	17	1	Mask	59065
2	1	Valve Plate	52030	18	4	Short Buckle	59046
3	1	Spring	57029	19	1	Channel Seal	56061
4	1	Body	53079	20	1	Acrylic Window	57025
<b>5-8</b>		<b>Air Control Valve Assembly</b>	<b>59003</b>	21	1	Lock Nut	53025
5	1	1/4" Globe Valve	51059A	22	1	Extension Buckle	59035
6	1	Handle	51059	23	5	Harness Clip	53077
7	1	Gland	53085A	24	1	Head Harness W/Clips	59041
8	1	Adapter Nut	53073A	25	1	Lead Washer	57034
<b>9-16</b>		<b>Commercial Elbow Assembly</b>	<b>60001</b>	26	1	Hex Nut	54016
9	1	Commercial Adapter	60003	<b>27-31</b>		<b>Exhaust Valve Assembly</b>	<b>59028</b>
10	1	Commercial Inhale Elbow	60001A	27	1	Exhaust Body	51025
11	1	Gasket	54055	28	1	Flapper Set Screw	53037
12	2	10-32 x 1/2" RHM Screw	54009	29	1	Flapper Disc	56026
13	1	Flapper Plate	52029	30	1	Cover Exhaust Valve	52028
14	1	Flapper	56028	31	1	6-32 x 3/8" FHM Screw	54025
15	2	10-32 Nut	54058				