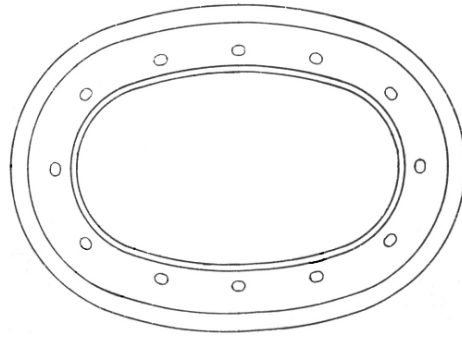


Dress collar dimensions

Navy 26005

Front to back OD = 25.625" ID = 17.875"

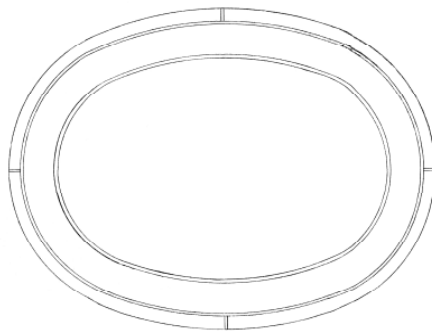
Across shoulders OD = 18.125" ID = 10.375"



Lightweight 26055

Front to back OD = 23" ID = 16"

Across shoulders OD = 17.750" ID = 10.750"



Commercial 26056

Front to back OD = 22.250" ID = 14.750"

Across shoulders OD = 19.625" ID = 12.125"

